

# Dutchess

**Bakers' Machinery Company, Inc.**

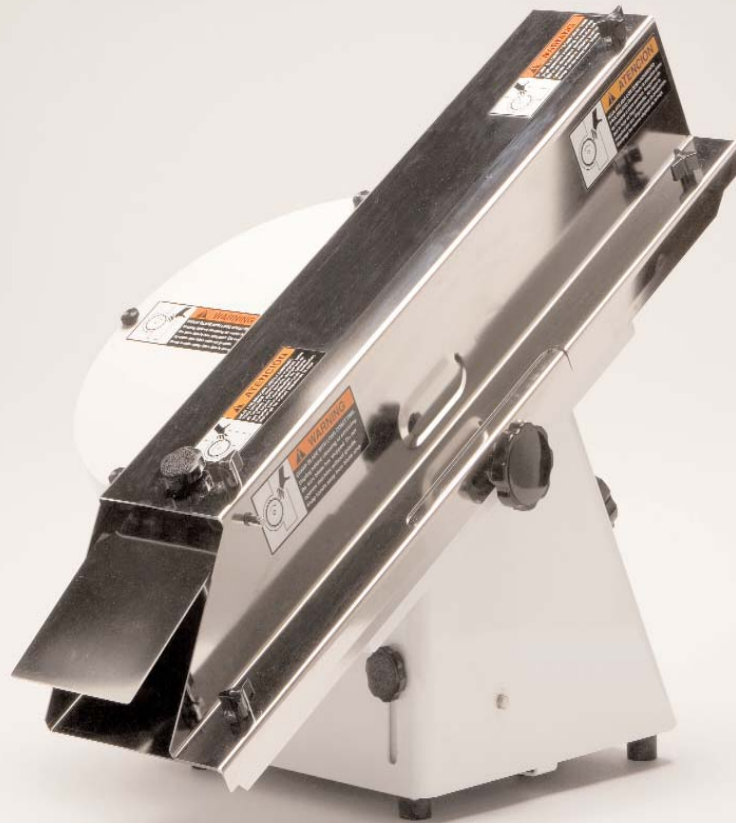
*A subsidiary of Superior-Lidgerwood-Mundy Corp.*

*A United States of America Manufacturer  
Since 1886*

Item No. \_\_\_\_\_

**Model 270C / 270CE**

**Compact Bun & Bagel Slicer**



### **Electrically Operated Slicer**

For slicing French Bread, Bagels, Subs, Hamburger Buns, Coney Buns, Hoagies, Biscuits, Bread Sticks and much more.

Adjustable for product size up to 6" (152.4 mm) wide by 3" (76.2mm) thick.

Can slice all the way through on product up to 5-1/4" (133.3 mm) wide or hinged product up to 6" (152.4 mm) wide.

Will slice as fast as the operator can feed the product into the chute.

Simple to operate - Adjustments are fast, easy to make, repeatable and accurate.

Chute can be removed without tools for safe, easy cleaning without interference from the cutting blade.

Great for use in Supermarkets Bakeries, Schools, Deli's, Retail Bakeries, Sub Shops, Hospitals, Restaurants, Bagel Shops, Caterers and more!

Two year Warranty.

**NSF** NSF (National Sanitation Foundation Intl.)

**UL** UL (Underwriters Laboratories)

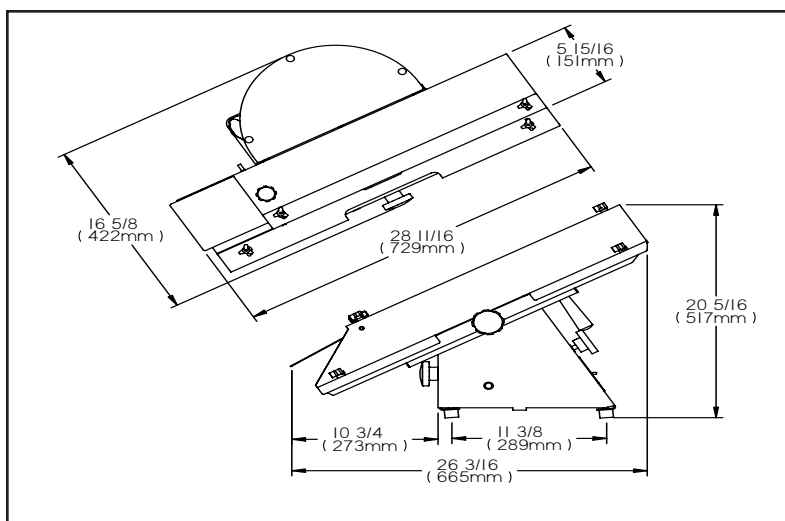
**ASSOCIATE MEMBER**  
**MAFSI**  
Manufacturers' Agents for  
the Food Service Industry

**Dutchess Bakers' Machinery Co.**  
302 Grand Avenue, PO Box 39  
Superior, WI 54880

**ISO 9000:2001 COMPLIANT**

Toll Free: 800-777-4498  
Phone: 715-394-4444  
Fax: 715-394-2406  
sales@dutchessbakers.com  
www.dutchessbakers.com

## MODEL 270C French Bread/Bun & Bagel Slicer



### Complete Cut:

**Maximum:** 5-1/4" (13.33 cm)

**From Bottom:** 1/2" to 1-1/2"

(1.27 - 38.1 cm)

### Adjustable for hinged cut on product up to:

6" wide and 3" thick

(15.24 cm wide and 76.2 cm)

### Machine Dimensions:

**Width:** 16 5/8" (422 mm) **Length:** 26 3/16" (665 mm) **Height:** 20 5/16" (517 mm)

**Shipping Wt.:** 87 lbs (39.46 kg.) **Net Wt.:** 60 lbs. (27.22 kg.)

**Shipping Class:** 85 **FOB:** 54880

**Shipping Dimensions:** 36 wide x 21 deep" x 30" (91.44 cm x 53.34 cm x 76.2 cm)

**Minimum counter space required:** 13" x 14" (33.02 x 35.56 cm) (*approximate*)

### Electrical requirements:

**Standard: (Model M-270C)** 115v / 60hz / 1-phase, 1/2hp Motor, 1725 rpm, 8.7 amps  
On/Off Switch with built-in Overload Protection.

**Optional: (Model M-270CE)** 220-240v / 50hz / 1-phase, 1/2 hp Motor, 1425 rpm, 4.8 amps

**Standard Finish: White Powder Coated Finish** (*non-food contact*)

**Stainless Steel** (*food contact*)

**Options: Extra Cutting Blades** (P/N A4-037-0003)

Dutchess Bakers' Machinery Company Inc., 302 Grand Avenue, Superior, WI 54880-0039

Toll Free: 800-777-4498 ~ Ph: 715-394-4444 ~ Fax: 715-394-2406

sales@dutchessbakers.com ~ www.dutchessbakers.com