

Dutchess

Bakers' Machinery Company, Inc.

A subsidiary of Superior-Lidgerwood-Mundy Corp.

*A United States of America Manufacturer
Since 1886*

Item No. _____

Model LD-626 (6-26 oz pieces)
12-Part Large Capacity Dough Divider

Manually Operated Dough Divider

12-Part Large Capacity!

Divide dough 12 pieces at a time in weights ranging from 6 ounces up to 26 ounces each.

Ideal for dividing dough large enough for products such as Bread and Pizza.

Head Assembly can be removed in seconds without tools for cleaning. The entire head assembly can be placed into a dishwasher or sink for complete cleaning to a sanitary operating condition in just minutes per day.

Capable of dividing many types of dough including pizza dough and all breads even those containing nuts and fruit.

Simple to operate - learn in just minutes!

Two year Warranty.

Lightweight and mobile when mounted to **Portable Stand** (P/N B4-436-0072) *not shown*



NSF NSF (National Sanitation Foundation Intl.)

USDA USDA (United States Dept. of Agriculture)

ASSOCIATE MEMBER
MAFSI
Manufacturers' Agents for
the Food Service Industry

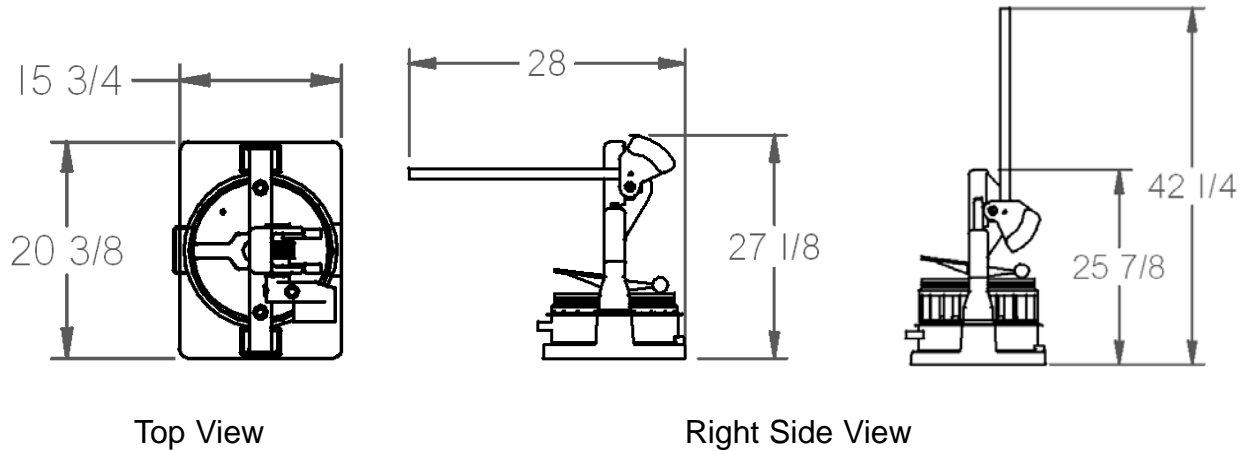
Dutchess Bakers' Machinery Co.
302 Grand Avenue, PO Box 39
Superior, WI 54880

ISO 9000:2001 COMPLIANT

Toll Free: 800-777-4498
Phone: 715-394-4444
Fax: 715-394-2406
sales@dutchessbakers.com
www.dutchessbakers.com

MODEL LD-626

12-Part Large Capacity Manually Operated Dough Divider (6 oz - 26 oz each)



Machine Dimensions:

Width: 20-3/8" (51.75 cm) **Depth:** 15-3/4" (40 cm) **Height:** (*incl. handle*) 42-1/4" (107.3 cm)
Shipping Wt.: 128 lbs.(59.5 kg) **Net Wt.:** 118 lbs (54 kg) **Shipping Class:** 85 **FOB:** 54880
Shipping Dimensions: 16.5" x 21" x 30" (41.91 cm x 53.34 cm x 76.2 cm)

Stand Dim.: **Width:** 18-1/2" (46.99 cm) **Depth:** 23" (58.42 cm) **Height:** 28-1/2" (72.39 cm)
Stand Shipping Wt: 35 lbs (15.88 kg) **Shipping Dimensions:** 24" x 25-1/2" x 4-1/2"

Manually Operated Dough Divider (*Bench Model*) Large Capacity

Note: Must be mounted to a Bench, Table or optional **Portable Stand (P/N B4-436-0072)**

Mounting bolt hole pattern (*on center*): 16-7/8" x 12-1/2"

Standard: White Powder Coat Finish & (1) Stainless Steel Pan, Stainless Steel Knives

Options: **Portable Stand** with toe-lock Casters & Shelf (P/N B4-436-0072)

(*mounting hardware included*)

Extra Stainless Steel Pans (P/N B4-149-0002)

Dutchess Bakers' Machinery Company Inc., 302 Grand Avenue, Superior, WI 54880-0039

Toll Free: 800-777-4498 ~ Ph: 715-394-4444 ~ Fax: 715-394-2406

sales@dutchessbakers.com ~ www.dutchessbakers.com