

# Dutchess

Bakers' Machinery Company, Inc.

A subsidiary of Superior-Lidgerwood-Mundy Corp

Item No.

---

**Model DUT/HUB-40**

40 Quart Floor Model Mixer



#### Standard Features:

- ◆ Heavy Duty 1-1/2 HP Motor, 208-240/60/1, 10 A
- ◆ # 12 Attachment Hub
- ◆ Gear Driven Transmission
- ◆ 3-Speed with 30-Minute Timer w/Auto Shut-off
- ◆ Safety Bowl Guard
- ◆ Bowl Lift Safety
- ◆ Manual Bowl Lift
- ◆ Dough Hook
- ◆ Wire Whip
- ◆ Beater Paddle
- ◆ Stainless Steel Bowl
- ◆ Bowl Locking Handles
- ◆ 7-Foot Power Cord
- ◆ 3-yr Limited Parts Warranty
- ◆ 1-Year Full Parts & Labor Warranty



**Dutchess Bakers' Machinery Company**

302 Grand Avenue, PO Box 39

Superior, WI 54880-0039

Toll Free: 800-777-4498

Phone: 715-394-4444

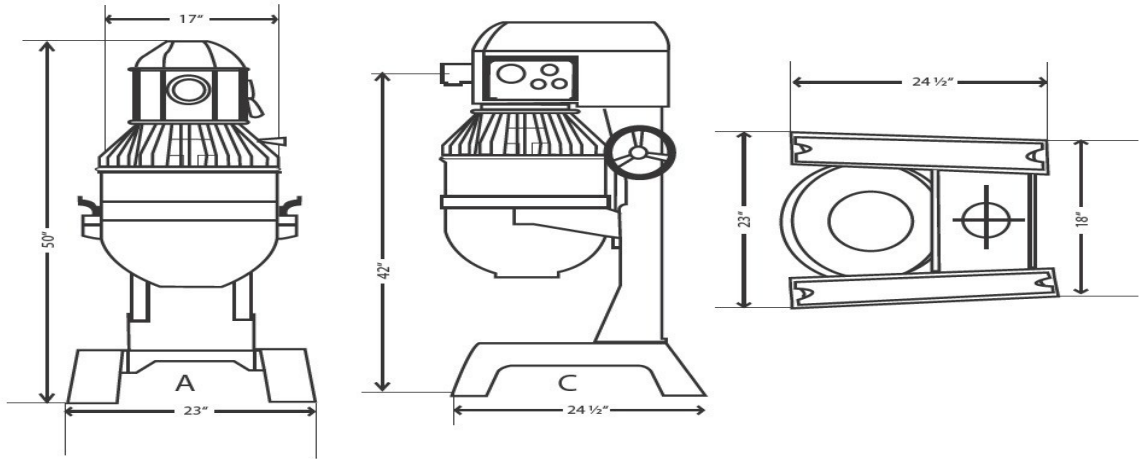
Fax: 715-394-2406 |

E-mail: [sales@dutchessbakers.com](mailto:sales@dutchessbakers.com)

Web: [www.dutchessbakers.com](http://www.dutchessbakers.com)

**ISO 9001-2008 Compliant**

# Model DUT/HUB-40 Floor Model Planetary Mixer



**Electrical:**

1-1/2 hp Heavy Duty Motor 208-240v / 60 hz / 1-phase, 10-Amp

7" Power Cord with Standard NEMA Plug

**Dimensions:**

23" Wide x 50" High x 24.5" Depth

**Weight:**

462 lbs. Net Weight, 562 lbs Shipping Weight.

Speed	Agitator RPM's	Attachment Hub RPM's
1	55	96
2	105	183
3	230	402

**Warranty:**

- ◆ 3-Year Limited Parts (Motor, Transmission and Drive Train.
- ◆ 1-Full Year Parts and Labor

DUTCHESS BAKERS' MACHINERY COMPANY, INC. 302 GRAND AVENUE, SUPERIOR, WI 54880-0039

TOLL FREE: 800-777-4498 - PH: 715-394-4444 - FAX: 715-394-2406