

Dutchess

Bakers' Machinery Company, Inc.

A subsidiary of Superior-Lidgerwood-Mundy Corp

Item No.

Model DUT/S-200

200 Liter Floor Model Spiral Mixer



Standard Features:

- ◆ 200 Liter Stainless Steel Mixing Bowl
- ◆ 165 lbs. of flour
- ◆ 264 lbs. of dough
- ◆ Bowl dimensions 29.5" x 17.7"
- ◆ 2 speeds Spiral and Bowl drive
- ◆ 2 timers to program the working cycle
- ◆ Stainless Steel Security Guard & Spiral Hook
- ◆ Drive Motor: 7.5 HP, 3/4 HP Bowl Motor
- ◆ Electricity: 208/230V / 3 phase
- ◆ NET Weight 1102 lbs.
- ◆ Dimensions 50" x 30" x 47"
- ◆ Industry Leading, 3-Year Limited Parts Warranty
- ◆ 1-Year Full Parts and Labor Warranty
- ◆ Heavy-duty construction & powerful 2-motor system
- ◆ Mounted on casters for extra mobility



Dutchess Bakers' Machinery Company

302 Grand Avenue, PO Box 39

Toll Free: 800-777-4498

Phone: 715-394-4444

E-mail: sales@dutchessbakers.com

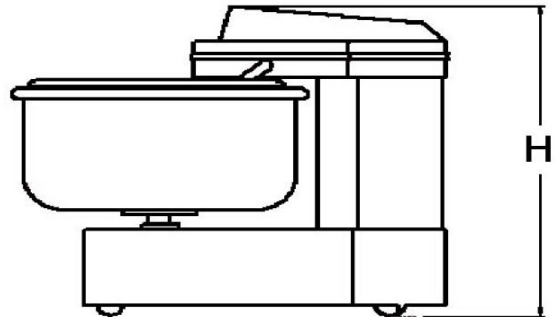
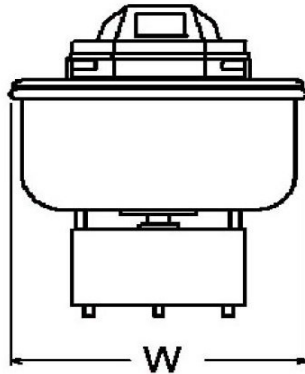
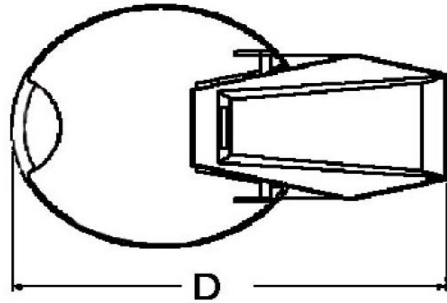
Web: www.dutchessbakers.com

Model DUT/S-200 Floor Model Spiral Mixer

D = 50"

W = 30"

H = 47"



Electrical:

7.5 hp Heavy Duty Drive Motor 208-230v / 60hz / 3-phase, 3/4 hp Bowl Motor

Overload Relay to Protect Motor - Auto Shut-Off when Bowl Guard Opened.

Emergency Stop Button for Safe Operation

Dimensions:

30" Wide x 47" High x 50" Depth

Weight:

1102 lbs. Net Weight, 1250 lbs Shipping Weight.

Features:

- ◆ 200 Liter Stainless Steel Mixing Bowl - Bowl dimensions 29.5" x 17.7"
- ◆ Reversible Mixing Action
- ◆ 2 speeds Spiral and Bowl drive
- ◆ 2 timers to program the working cycle
- ◆ Stainless Steel Security Guard & Spiral Hook
- ◆ Bowl motor: 7.5 & 3/4 HP
- ◆ Heat Treated Enamel Coating Resistant to Rust, Dents & Scratches.

Warranty:

- ◆ 3-Year Limited Parts
- ◆ 1-Year Standard Parts and Labor

DUTCHESS BAKERS' MACHINERY COMPANY, INC. 302 GRAND AVENUE, SUPERIOR, WI 54880-0039

TOLL FREE: 800-777-4498 - PH: 715-394-4444 - FAX: 715-394-2406