

# Dutchess

Bakers' Machinery Company, Inc.

A subsidiary of Superior-Lidgerwood-Mundy Corp

Item No.

---

**Model DUT/V-80**

**80 Quart Floor Model Mixer**



## Standard Features:

- ◆ Heavy Duty 4 HP Motor
- ◆ 208/240/60/1 or 3
- ◆ # 12 Attachment Hub
- ◆ Gear Driven Transmission
- ◆ 3-Speed with 30-Minute Timer w/Auto Shut-off
- ◆ Safety Bowl Guard
- ◆ Bowl Lift Safety
- ◆ Manual Bowl Lift
- ◆ Dough Hook
- ◆ Wire Whip
- ◆ Beater Paddle
- ◆ Stainless Steel Bowl
- ◆ Bowl Locking Handles
- ◆ 3-yr Limited Parts Warranty
- ◆ 1 Year Full Parts & Labor Warranty



**Dutchess Bakers' Machinery Company**

302 Grand Avenue, PO Box 39

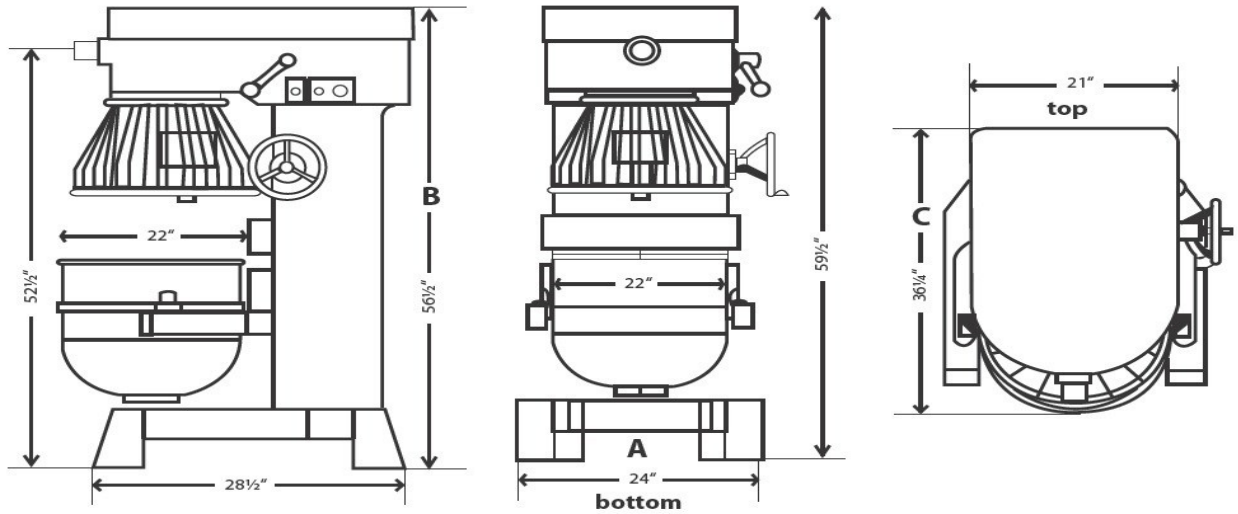
Toll Free: 800-777-4498

Phone: 715-394-4444

E-mail: [sales@dutchessbakers.com](mailto:sales@dutchessbakers.com)

Web: [www.dutchessbakers.com](http://www.dutchessbakers.com)

# Model DUT/V-80 Floor Model Planetary Mixer



## Electrical:

4 hp Heavy Duty Motor 208-240v / 60 hz / 3-phase, 16.1-Amp

Manual Reset Motor Overload - Auto Shut-Off when Bowl is Lowered or Bowl Guard Opened.

## Dimensions:

24" Wide x 56.5" High x 36.25" Depth

## Weight:

880 lbs. Net Weight, 1005 lbs Shipping Weight.

Speed	Agitator RPM's	Attachment Hub RPM's
1	104	119
2	197	226
3	331	380

## Warranty:

- ◆ 3-Year Limited Parts
- ◆ 1-Year Standard Parts and Labor

DUTCHESS BAKERS' MACHINERY COMPANY, INC. 302 GRAND AVENUE, SUPERIOR, WI 54880-0039

TOLL FREE: 800-777-4498 - PH: 715-394-4444 - FAX: 715-394-2406